

COLOR: LEGEND AND BORDER...WHITE (REFLECTORIZED)
 NO. 1.....RED (TRANSPARENT REFLECTORIZED)
 NO. 2.....BLUE (TRANSPARENT REFLECTORIZED)

COLOR: LEGEND AND BORDER...WHITE (REFLECTORIZED)
 NO. 1.....RED (TRANSPARENT REFLECTORIZED)
 NO. 2.....BLUE (TRANSPARENT REFLECTORIZED)

COLOR: LEGEND AND BORDER...WHITE (REFLECTORIZED)
 BACKGROUND.....GREEN (TRANSPARENT REFLECTORIZED)

COLOR: LEGEND AND BORDER...WHITE (REFLECTORIZED)
 BACKGROUND.....GREEN (TRANSPARENT REFLECTORIZED)

* OPTICALLY SPACE NUMERALS ABOUT VERTICAL CENTERLINE.
 COLOR: LEGEND AND BORDER.....BLACK (NON-REFLECTORIZED)
 BACKGROUND.....WHITE (REFLECTORIZED)

SIGN SIZE	DIMENSIONS (INCHES)										BLANK STD.
	A	B	C	D	E	F	G	H	J	K	
24" X 24"	24	24	2	2-1/2C	1/2	1-1/2D	100	6	7-13/16	5-9/64	B-24(M)
36" X 36"	36	36	3	3-3/4C	3/4	2-1/4D	150	9	11-11/16	7-5/32	B-36(M)

SIGN SIZE	DIMENSIONS (INCHES)										BLANK STD.
	A	B	C	D	E	F	G	H	J	K	
30" X 24"	30	24	2	2-1/2C	1/2	1-1/2D	100	6	7-13/16	5-9/64	B-3024(M)
45" X 36"	45	36	3	3-3/4C	3/4	2-1/4D	150	9	11-11/16	7-5/32	B-4536(M)

SIGN SIZE	DIMENSIONS (INCHES)										BLANK STD.
	A	B	C	D	E	F	G	H	J	K	
24" X 24"	24	24	2	2-1/2C	1/2	1-1/2D	100	6	6-15/16	2-9/32	B-24(M)
36" X 36"	36	36	3	3-3/4C	3/4	2-1/4D	150	9	9-19/32	3-15/32	B-36(M)
30" X 24"	30	24	2	2-1/2C	1/2	1-1/2D	100	6	6-15/16	2-9/32	B-3024(M)
45" X 36"	45	36	3	3-3/4C	3/4	2-1/4D	150	9	9-19/32	3-15/32	B-4536(M)

SIGN SIZE	DIMENSIONS (INCHES)										BLANK STD.
	A	B	C	D	E	F	G	H	J	K	
24" X 24"	24	24	2	2-1/2C	1/2	1-1/2D	100	6	6-15/16	2-7/16	B-24(M)
36" X 36"	36	36	3	3-3/4C	3/4	2-1/4D	150	9	9-19/32	3-11/16	B-36(M)
30" X 24"	30	24	2	2-1/2C	1/2	1-1/2D	100	6	6-15/16	2-7/16	B-3024(M)
45" X 36"	45	36	3	3-3/4C	3/4	2-1/4D	150	9	9-19/32	3-11/16	B-4536(M)

SIGN SIZE	DIMENSIONS (INCHES)										BLANK STD.
	A	B	C	D	E	F	G	H	J	K	
24" X 24"	24	24	2	5-1/2	1/2D	6-1/2	1	5-1/2	2-1/2	7-1/2	7
36" X 36"	36	36	3	8-1/4	1/2D	9-3/4	1-1/2	8-1/4	3-3/4	11-1/4	10-1/2

SIGN SIZE	DIMENSIONS (IN)			BLANK STD.
	L	M	N	
24" X 24"	5-1/2	4-1/2	1/2	B-24(S)
36" X 36"	8-1/4	6-3/4	3/4	B-36(S)

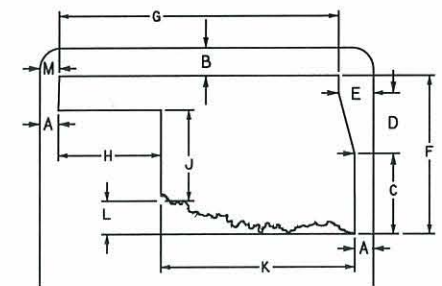
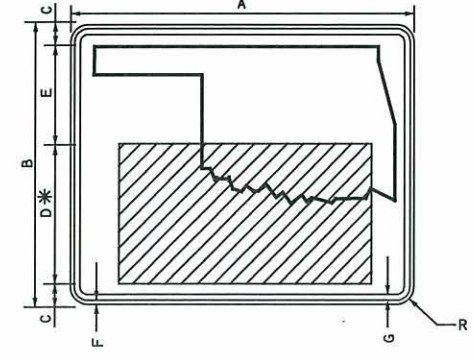
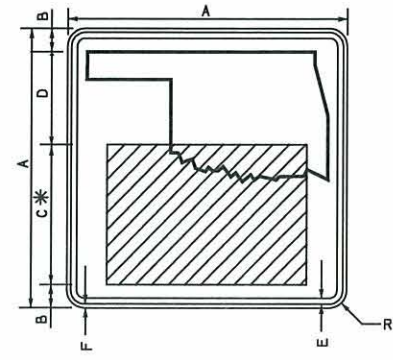
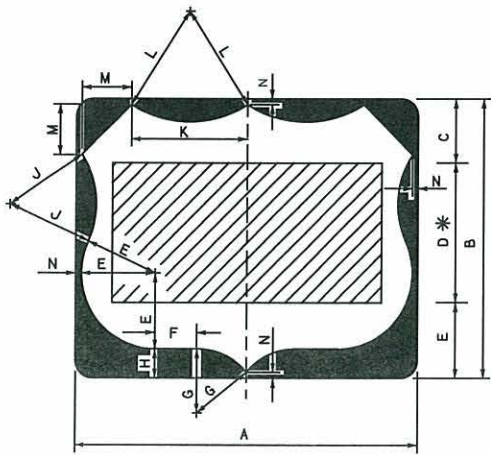
24" X 24" IM1-1(2) 4.00 SQ. FT.
 36" X 36" IM1-1E(2) 9.00 SQ. FT.

30" X 24" IM1-1(3) 5.00 SQ. FT.
 45" X 36" IM1-1E(3) 11.25 SQ. FT.

24" X 24" LM1-2(2) 4.00 SQ. FT.
 36" X 36" LM1-2E(2) 9.00 SQ. FT.
 30" X 24" LM1-2(3) 5.00 SQ. FT.
 45" X 36" LM1-2E(3) 11.25 SQ. FT.

24" X 24" LM1-3(2) 4.00 SQ. FT.
 36" X 36" LM1-3E(2) 9.00 SQ. FT.
 30" X 24" LM1-3(3) 5.00 SQ. FT.
 45" X 36" LM1-3E(3) 11.25 SQ. FT.

24" X 24" M1-4(2) 4.00 SQ. FT.
 36" X 36" M1-4E(2) 9.00 SQ. FT.



STATE OUTLINE

	1 & 2 DIGITS		3 DIGITS	
	12" NUMERALS	18" NUMERALS	12" NUMERALS	18" NUMERALS
24" X 24"	24	36	30	45
BLANK STD.	B-24(S)	B-36(S)	B-3024	B-4536
A	2"	3"	2.5"	2.5"
B	3"	3"	3"	3"
C	6.5"	9.75"	8.1"	13"
D	4"	6.1"	5.1"	8.1"
E	2.3"	4.6"	3.8"	4.7"
F	11.7"	17.6"	14.7"	23.5"
G	18.8"	28.3"	23.5"	37.7"
H	6"	9"	7.5"	12"
J	5"	7.6"	6.4"	10.2"
K	14"	21"	17.5"	28"
L	3.3"	5"	4.2"	6.7"
M	2.1"	3.1"	2.6"	2.6"

STATE OUTLINE TABLE

* OPTICALLY SPACE NUMERALS ABOUT VERTICAL CENTERLINE.
 COLOR: LEGEND AND BORDER.....BLACK (NON-REFLECTORIZED)
 BACKGROUND.....WHITE (REFLECTORIZED)

* OPTICALLY SPACE NUMERALS ABOUT VERTICAL CENTERLINE.
 COLOR: LEGEND AND BORDER.....BLACK (NON-REFLECTORIZED)
 BACKGROUND.....WHITE (REFLECTORIZED)

* OPTICALLY SPACE NUMERALS ABOUT VERTICAL CENTERLINE.
 COLOR: LEGEND AND BORDER.....BLACK (NON-REFLECTORIZED)
 BACKGROUND.....WHITE (REFLECTORIZED)

SIGN SIZE	DIMENSIONS (INCHES)										BLANK STD.
	A	B	C	D	E	F	G	H	J	K	
30" X 24"	30	24	3	5-1/2	1/2	6-1/2	4	5-1/2	2-1/2	7-1/2	10
45" X 36"	45	36	3	8-1/4	1/2	9-3/4	5-1/2	8-1/4	3-3/4	11-1/4	15

SIGN SIZE	DIMENSIONS (INCHES)										STATE OUTLINE	BLANK STD.
	A	B	C	D	E	F	G	H	J	K		
24" X 24"	24	3	120	6	3/8	1/4	1-1/2	1				B-24(S)
36" X 36"	36	3	180	12	3/4	3/8	2-1/4	1				B-36(S)

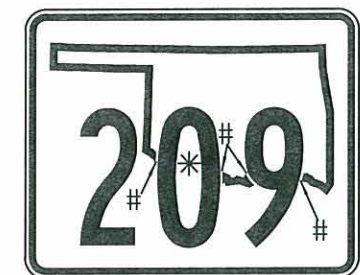
SIGN SIZE	DIMENSIONS (INCHES)										STATE OUTLINE	BLANK STD.
	A	B	C	D	E	F	G	H	J	K		
30" X 24"	30	24	3	12B	6	1/4	3/8	1-1/2	1			B-3024
45" X 36"	45	36	3	18B	12	3/8	3/4	2-1/4	1-1/4			B-4536

SIGN SIZE	DIMENSIONS (IN)			BLANK STD.
	L	M	N	
30" X 24"	9-1/2	4-1/2	1/2	B-24(S)
45" X 36"	14-1/4	6-3/4	3/4	B-36(S)

30" X 24" M1-4(3) 5.00 SQ. FT.
 45" X 36" M1-4E(3) 11.25 SQ. FT.

24" X 24" M1-6(2) 4.00 SQ. FT.
 36" X 36" M1-6E(2) 9.00 SQ. FT.

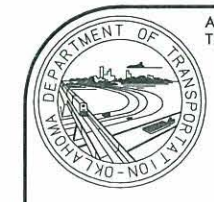
30" X 24" M1-6(3) 5.00 SQ. FT.
 45" X 36" M1-6E(3) 11.25 SQ. FT.



STATE OUTLINE IS NOT TO COME WITHIN .3" OF TEXT.
 * STATE OUTLINE IS TO BE REMOVED FROM INSIDE OF TEXT.

TEXT GAP DETAIL

BASIS OF PAYMENT		
ITEM NO.	ITEM	UNIT
850(A)	SHEET ALUMINUM SIGNS	SF



APPROVED BY TRAFFIC ENGINEER: *Charles Smart* DATE: *12/10*

TRAFFIC STANDARD
 ROUTE MARKER SIGN DETAILS
 (ROUTE ASSEMBLY)